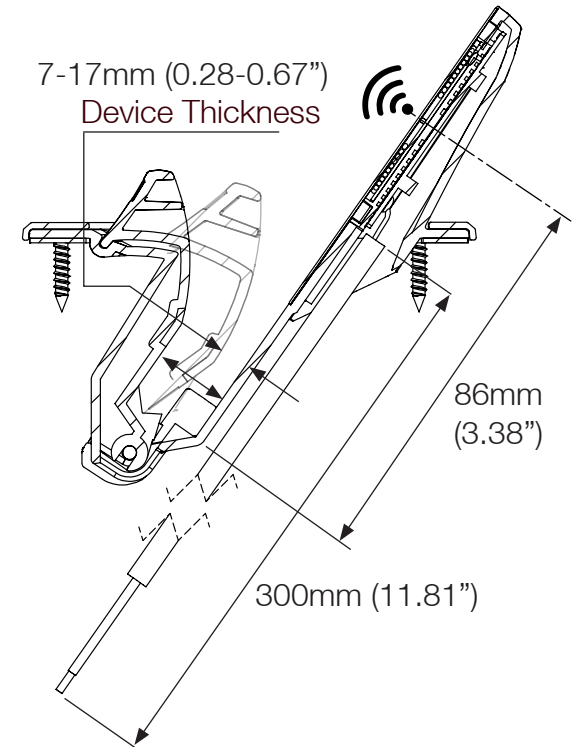
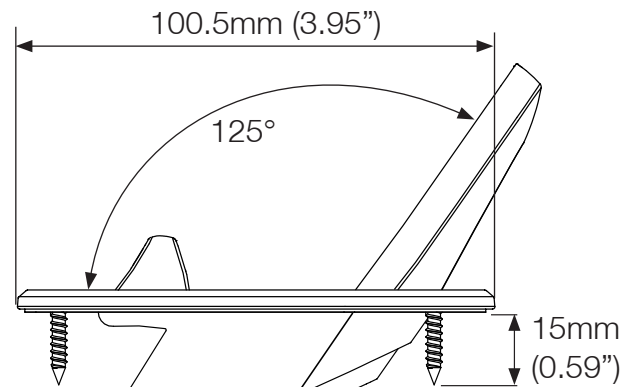
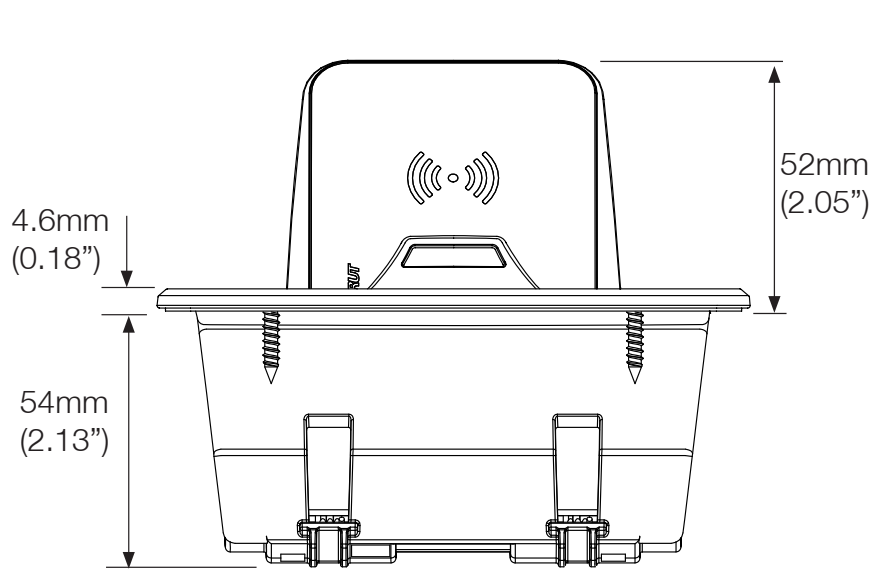


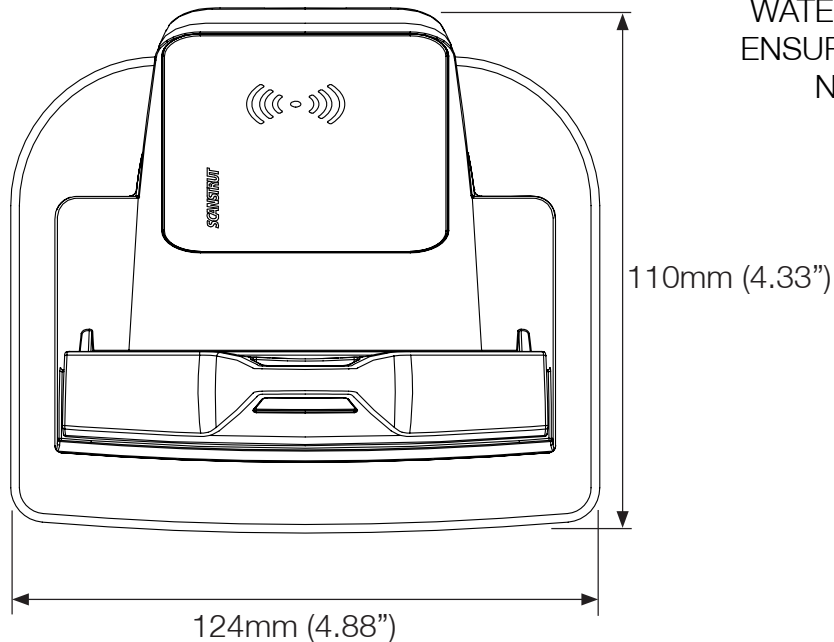
Magnetic Waterproof Wireless Charger - Aura 10W - SC-CW-12F

Email: sales@scanstrut.com

Email: usasales@scanstrut.com



WATER PASSES THROUGH CHARGER.
ENSURE ITEMS BELOW CHARGER
NOT BE DAMAGED BY LIQUID



Electrical Information:	
Input voltage range	10-30V DC (12/24V system)
Input current max	2A
Output power max	10W (9V, 1.1A)
Standby power draw	< 0.2W
Waterproof rating	(Electronics) IPX6 front and back
Certifications	CE, UKCA, FCC, ROHS, IC, C-tick, PSE

SCANSTRUT

Issue 1

Page | A

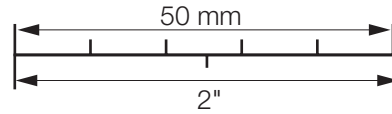
Magnetic Waterproof Wireless Charger - Aura 10W - SC-CW-12F

Email: sales@scanstrut.com

Email: usasales@scanstrut.com

Cutting Template

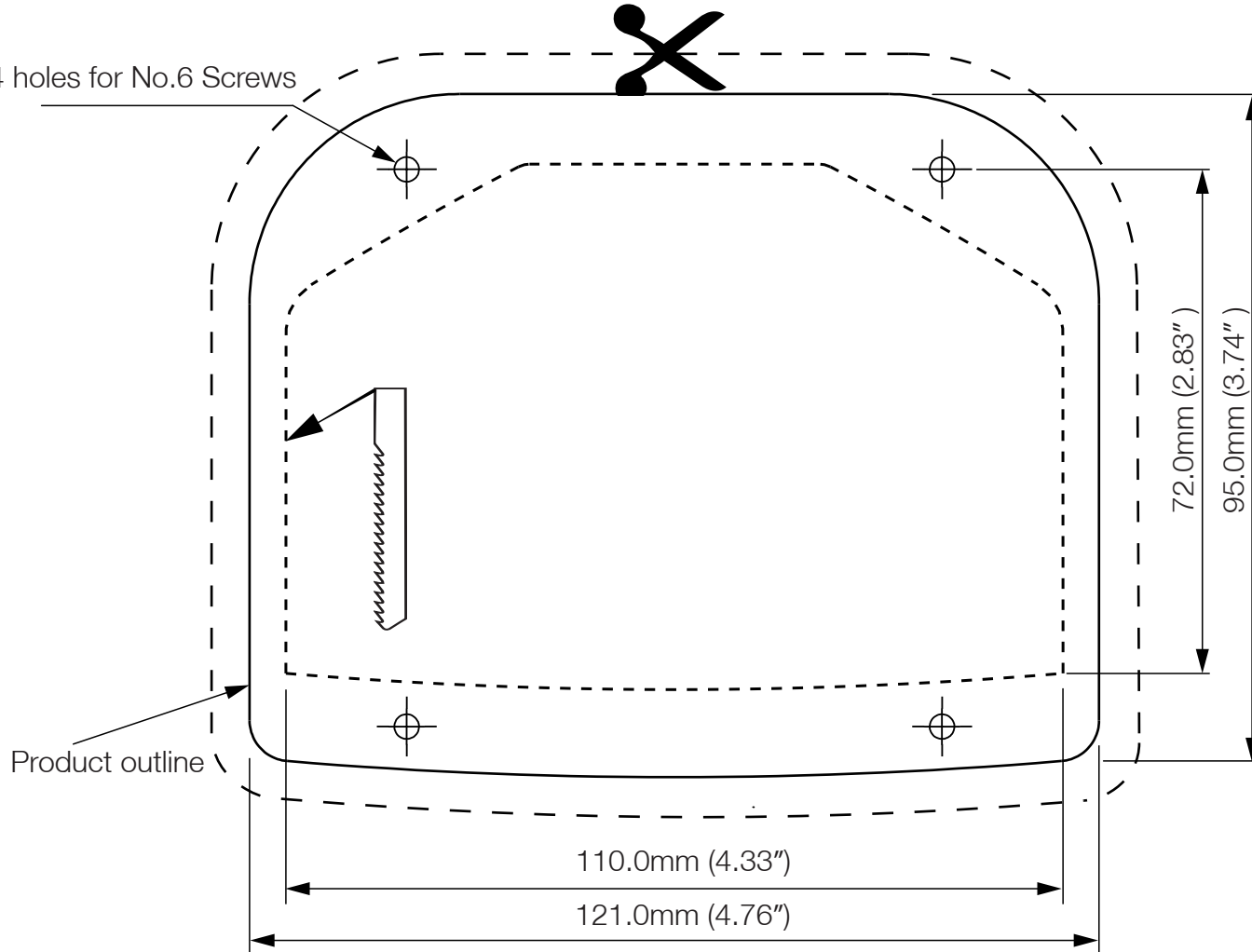
Warning Check Scale



Print document 1:1 scale
for correct cutting template size



Drill x4 holes for No.6 Screws



Material	No.6 Screw
Soft Material E.g plywood	Ø2.5mm (Ø3/32")
Hard Material E.g Fiberglass acrylic, hardwood	Ø3mm (Ø1/8")