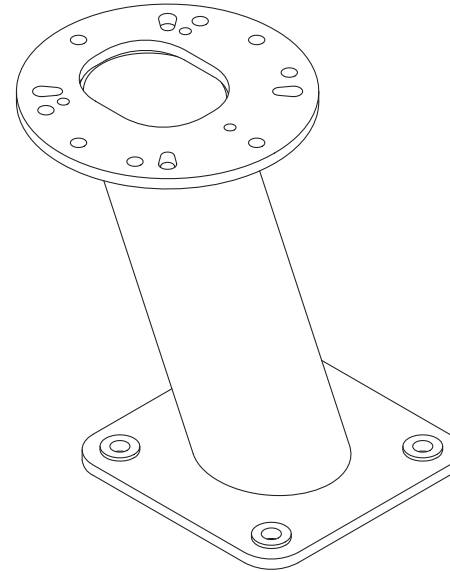
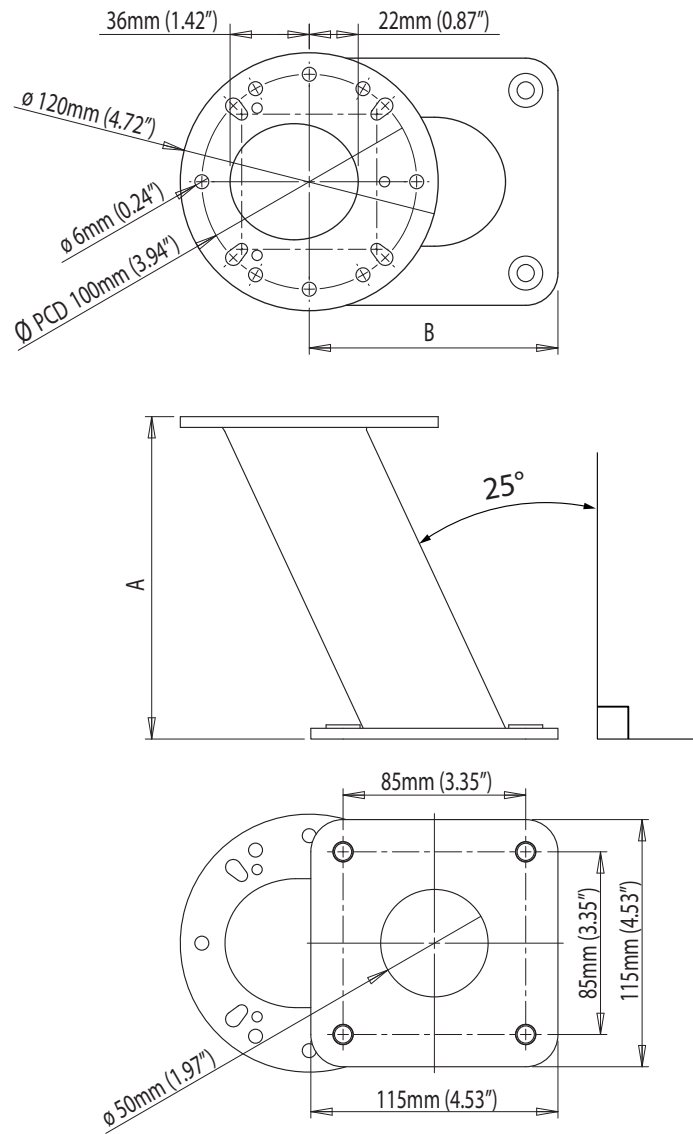


# CAM-PT-150/300

Email: [sales@scanstrut.com](mailto:sales@scanstrut.com) Email: [usasales@scanstrut.com](mailto:usasales@scanstrut.com)



	A mm / inches	B mm / inches
CAM-PT-150	150/5.9	116/4.6
CAM-PT-300	300/11.8	480/18.9

**SCANSTRUT.**