

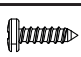


Technical Information

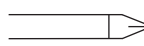


Input voltage range : 10-30V DC (12/24V system)  
 Input current max: 1.5A  
 Output power: 5W (5V, 1A)  
 Standby current draw: < 0.03W  
 Certifications: Qi, CE, FCC, ROHS  
 Waterproof rating: IPX6 front and back

  READ THE IMPORTANT SAFETY INFORMATION LEAFLET BEFORE INSTALLING

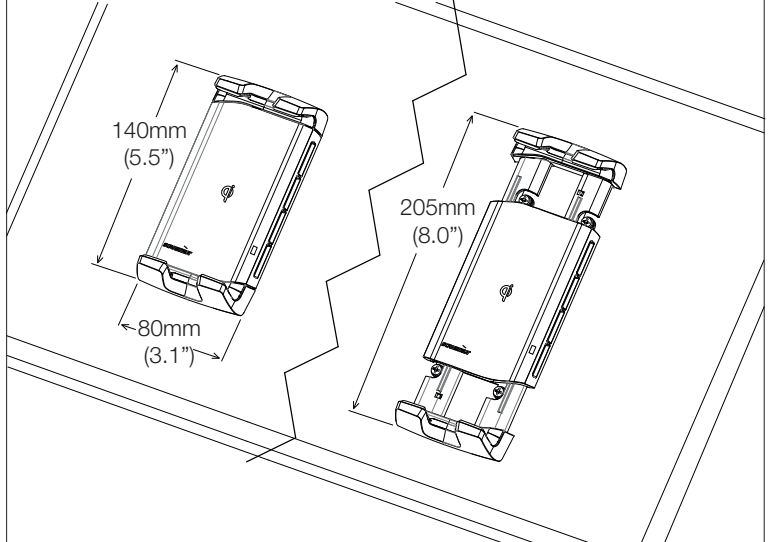
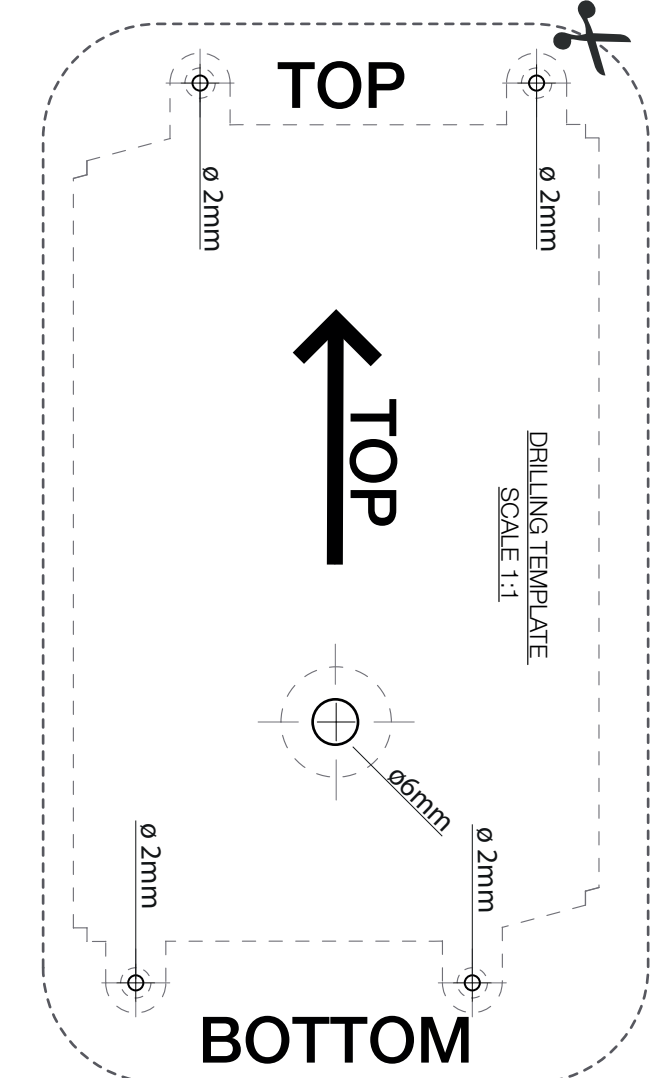
Parts List

	Rokk Wireless Active	x1
	Nylon washer	x4
	No. 4 x 3/4" (18mm) self tapping screw	x4

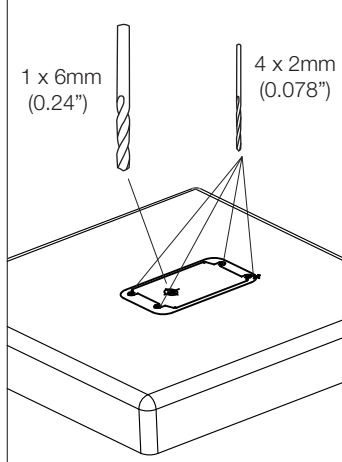
Tools Required

	Pozi screwdriver
	6mm (0.24") Drill Bit
	2mm (0.078") Drill Bit

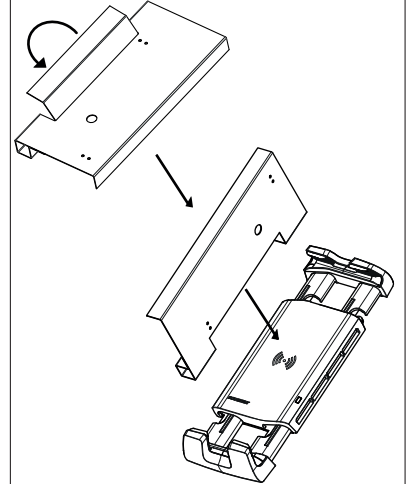
1 Check the installation area. Ensure there is a flat mounting surface at least 140mm x 80mm (5.5"x 3.1"), with an unobstructed extension length of 205mm (8.0").

2 Fit the Drilling Template to the installation area. Drill 4 x 2mm (0.078") pilot holes and 1 x 6mm (0.24") cable hole.



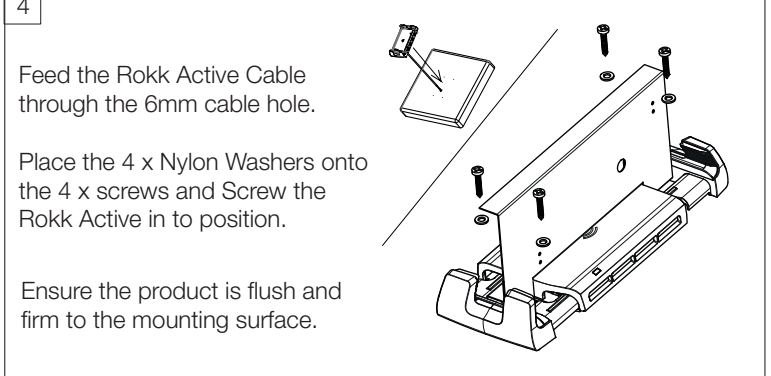
3 Take the mounting card from the packaging and fold to create installation jig.



4 Feed the Rokk Active Cable through the 6mm cable hole.

Place the 4 x Nylon Washers onto the 4 x screws and Screw the Rokk Active in to position.

Ensure the product is flush and firm to the mounting surface.



4 Connect wires to 12/24V supply, ensuring a waterproof connection. Fuse according to input voltage and current.

