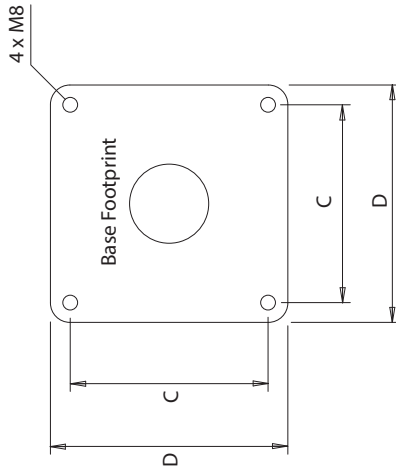
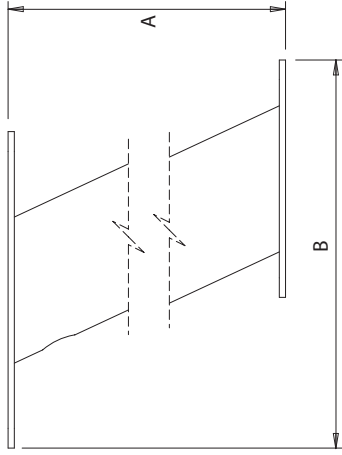


# Stainless PowerTower®

For help & information  
 email: [technical@scanstrut.com](mailto:technical@scanstrut.com)  
 tel: +44 (0) 1803 863800



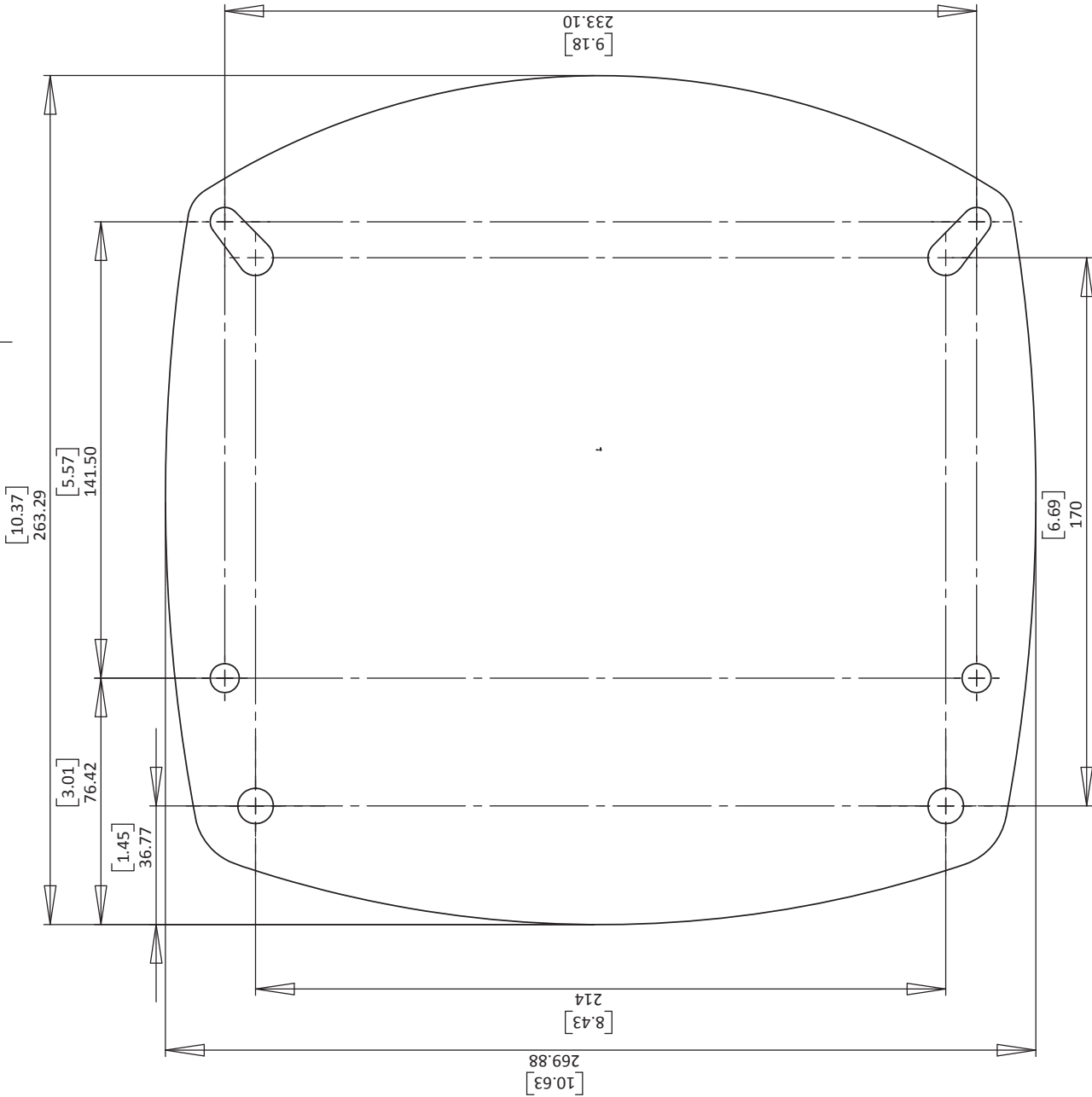
	A mm / inches	B mm / inches	C mm / inches	D mm / inches
SPT1001	152/6	238/9.3	127/5	152/6
SPT1002	152/6	245/9.6	127/5	152/6
SPT1004	152/6	270/10.6	152/6	203/8
SPT1005	152/6	295/11.6	152/6	203/8

All SPT's are 25° aft leaning



**SCANSTRUT®**  
 designed for life at sea

1	2	3	4	5	6
ZONE REV.		REVISIONS		DATE	APPROVED



PLEASE NOTE:  
ALL COMPOSITE POWERTOWERS ARE NOT PRE-DRILLED

**SCANSTRUT**  
DESIGN COPYRIGHT OF SCANSTRUT LTD

SCALE:1:2 A4 DO NOT SCALE DRAWING

UNLESS OTHERWISE SPECIFIED:  
DIMENSIONS ARE IN MILLIMETERS

GENERAL TOLERANCES: ±0.1  
UNLESS OTHERWISE STATED,  
IF IN DOUBT PLEASE ASK

TITLE: -1 Radar Mount Plate

PART NO. REVISION

DRAWN JF DATE

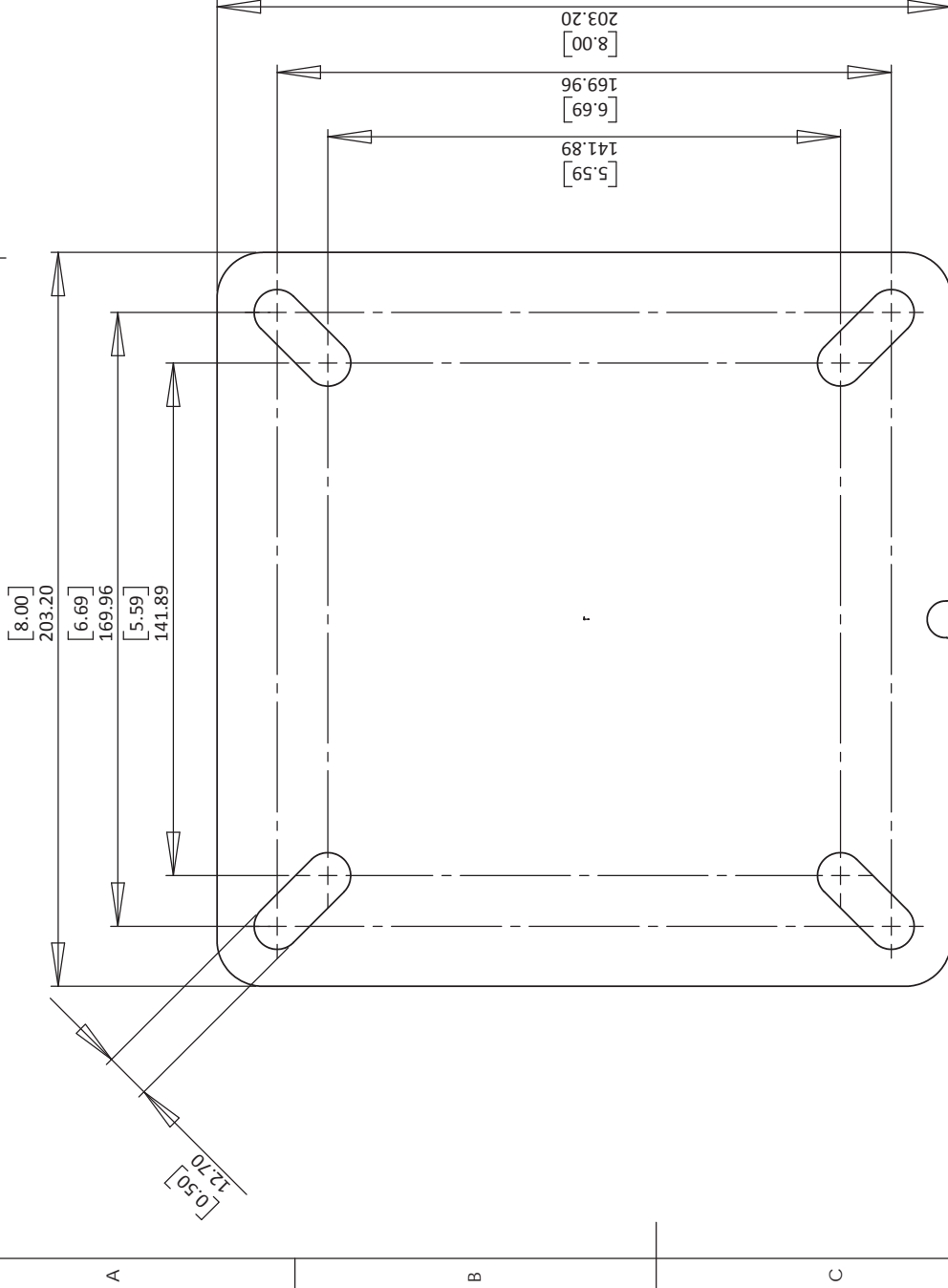
SHEET 1 OF 2

DEBUR AND  
BREAK SHARP  
EDGES

FINISH:

MATERIAL:

1	2	3	4	5	6
			REVISIONS		
			DESCRIPTION	DATE	APPROVED
			ZONE REV.		



PLEASE NOTE:  
ALL COMPOSITE POWERTOWERS ARE NOT PRE-DRILLED

**SCANSTRUT**  
DESIGN COPYRIGHT OF SCANSTRUT LTD

SCALE:1:2 A4 DO NOT SCALE DRAWING

UNLESS OTHERWISE SPECIFIED:  
DIMENSIONS ARE IN MILLIMETERS

GENERAL TOLERANCES: ±0.1  
UNLESS OTHERWISE STATED,  
IF IN DOUBT PLEASE ASK

TITLE: -2 Radar Mount Plate

PART NO.

REVISION

DRAWN

DATE

SHEET 2 OF 2

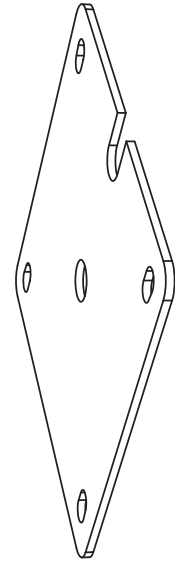
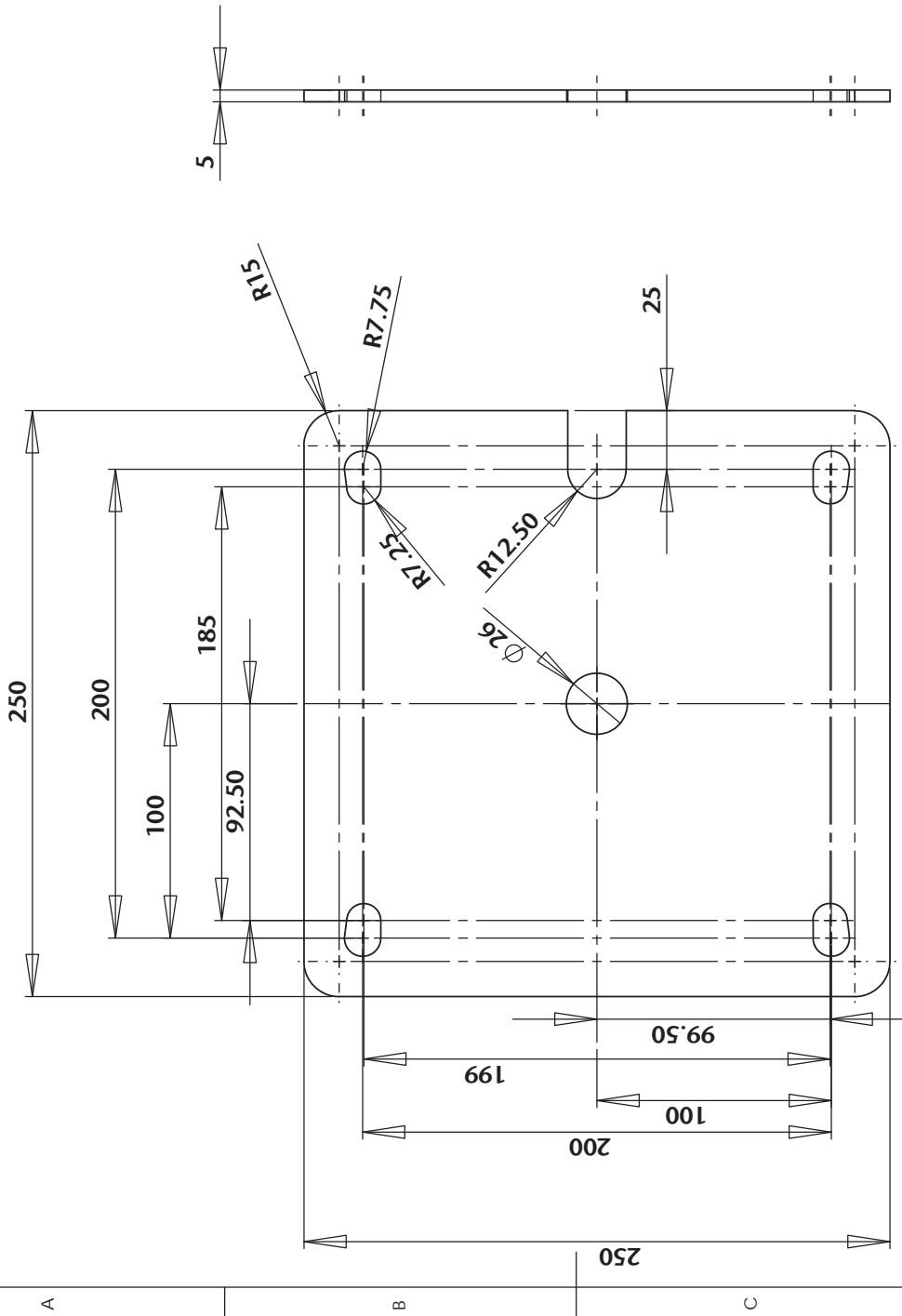
DEBUR AND  
BREAK SHARP  
EDGES

FINISH:

MATERIAL:



1	2	3	4	5	6
ZONE REV.		REVISIONS		DATE	APPROVED
1.	New Drawing Release			6-10-06	JF



<b>SCANSTRUT</b>	
DESIGN COPYRIGHT OF SCANSTRUT LTD	
SCALE: 1:3	A4 DO NOT SCALE DRAWING
UNLESS OTHERWISE SPECIFIED: DIMENSIONS ARE IN MILLIMETERS GENERAL TOLERANCES: ±0.1 IF IN DOUBT PLEASE ASK	
TITLE:	SPT1005 - Top Plate
PART NO.	xxxxxx
REVISION	1
DRAWN	xxxxxx
DATE	xxxxxx
SHEET 6 OF 6	

DEBUR AND BREAK SHARP EDGES	FINISH:	Highly Polished
MATERIAL:	316 Stainless Steel	