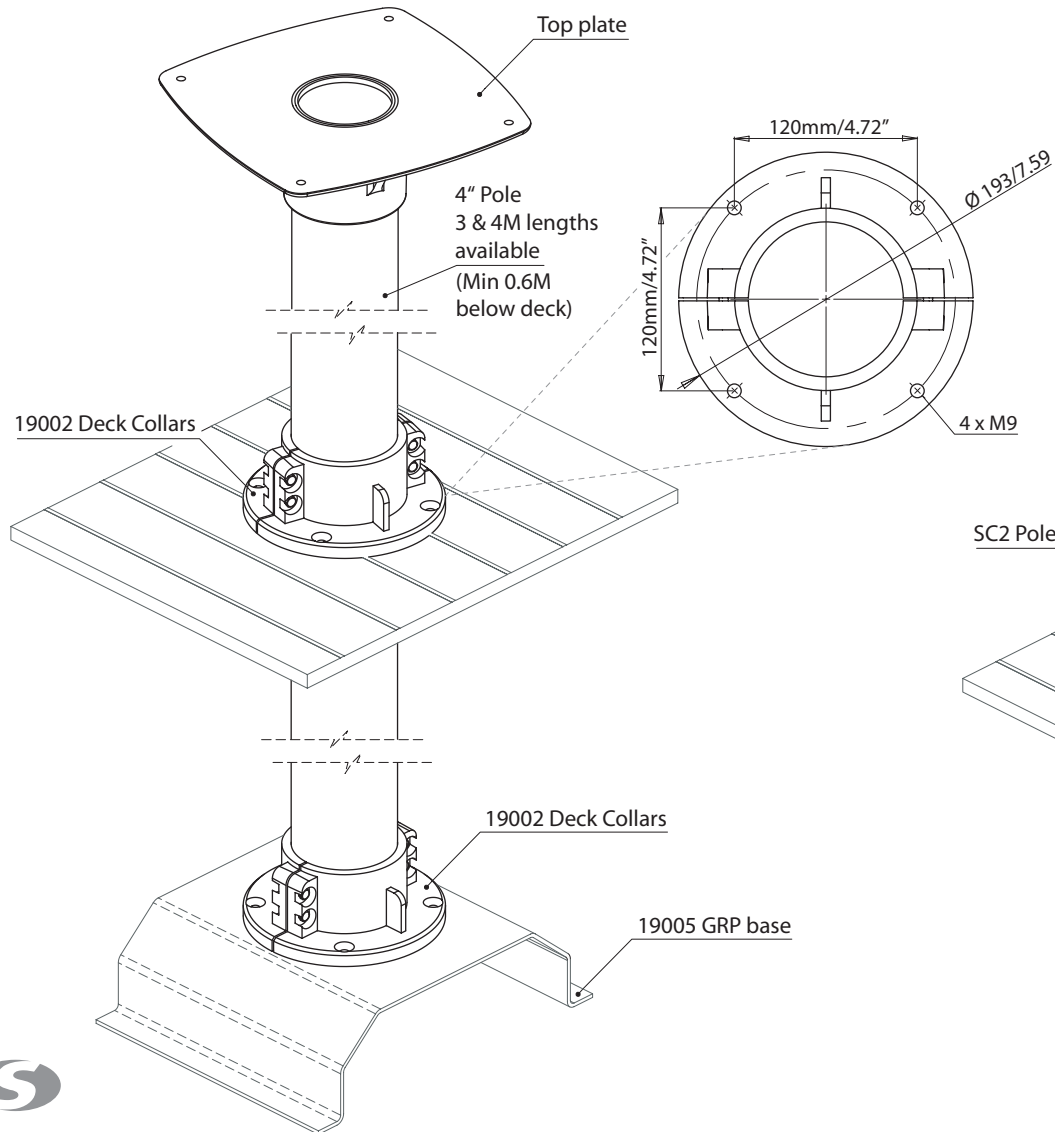


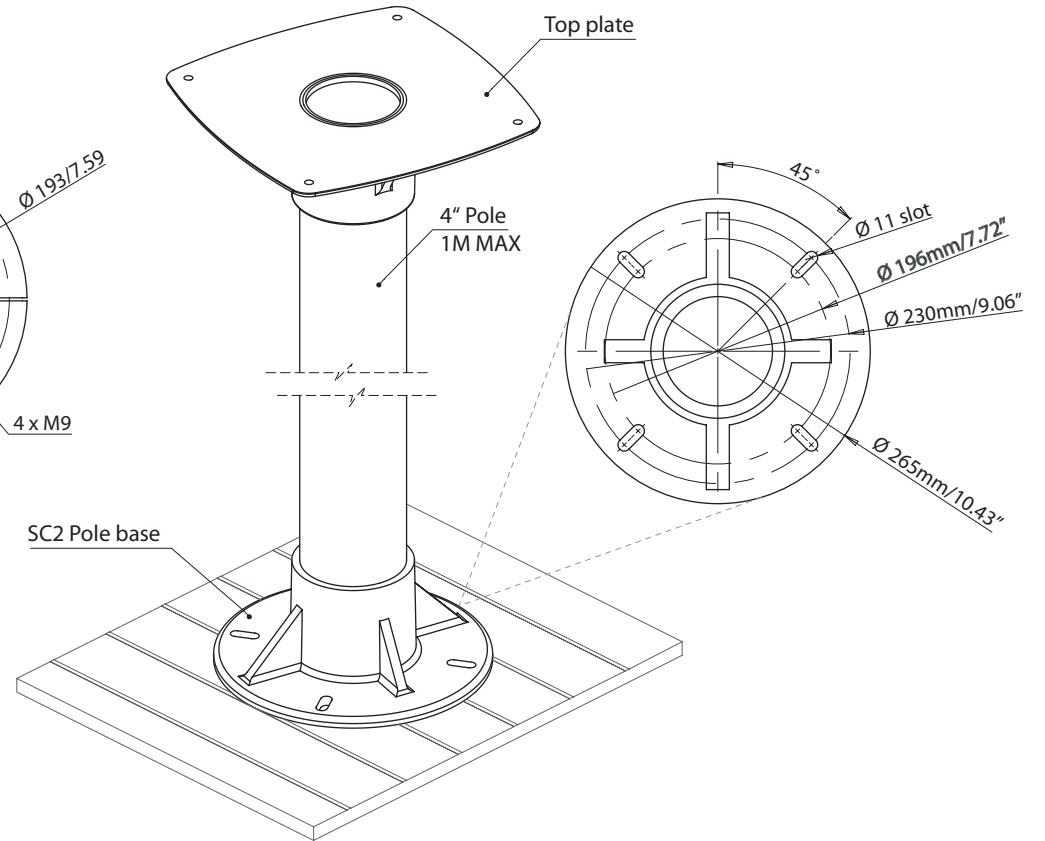
# SC2 Pole Mount

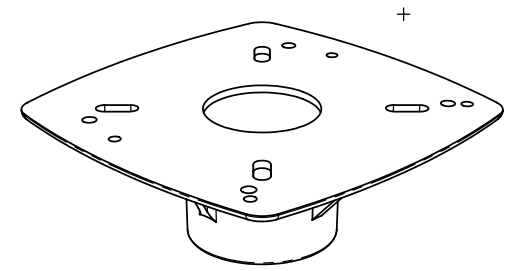
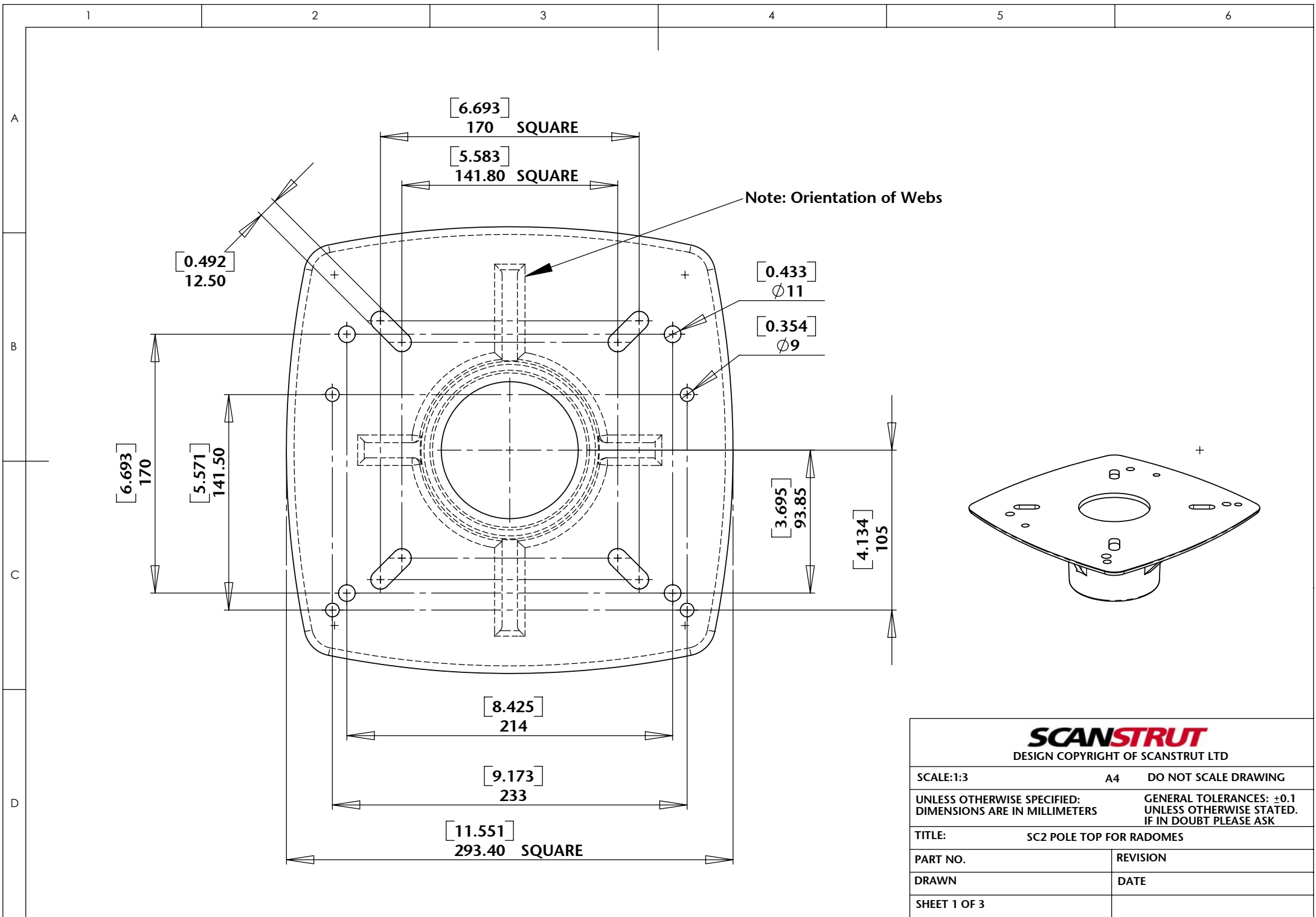
For help & information  
email: [technical@scanstrut.com](mailto:technical@scanstrut.com)  
tel: +44 (0) 1803 863800

## Through-deck pole system SC2-3/4

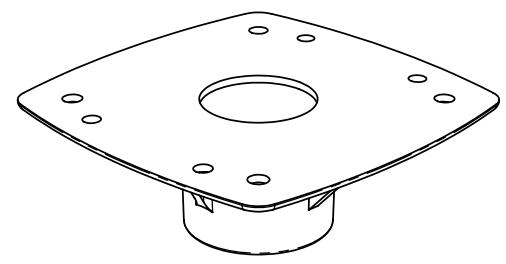
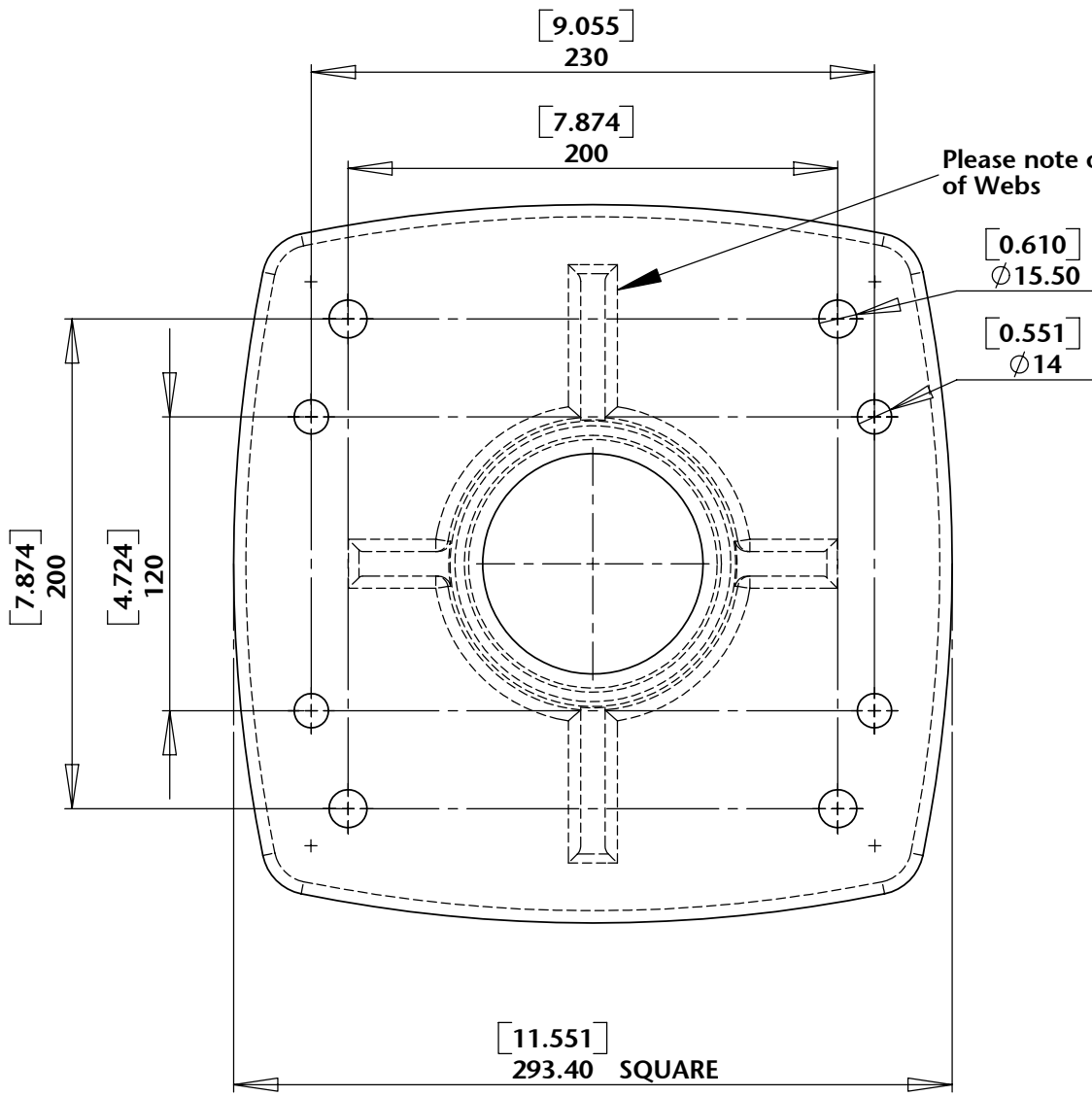


## Deck mounted pole system SC2-1





<b>SCANSTRUT</b> DESIGN COPYRIGHT OF SCANSTRUT LTD		
SCALE:1:3	A4	DO NOT SCALE DRAWING
UNLESS OTHERWISE SPECIFIED: DIMENSIONS ARE IN MILLIMETERS		GENERAL TOLERANCES: ±0.1 UNLESS OTHERWISE STATED. IF IN DOUBT PLEASE ASK
TITLE: SC2 POLE TOP FOR RADOMES		
PART NO.	REVISION	
DRAWN	DATE	
SHEET 1 OF 3		



+

<b>SCANSTRUT</b> DESIGN COPYRIGHT OF SCANSTRUT LTD	
SCALE:1:3	A4 DO NOT SCALE DRAWING
UNLESS OTHERWISE SPECIFIED: DIMENSIONS ARE IN MILLIMETERS	GENERAL TOLERANCES: ±0.1 UNLESS OTHERWISE STATED. IF IN DOUBT PLEASE ASK
TITLE: SC2 POLE TOP FOR OPEN ARRAYS	
PART NO.	REVISION
DRAWN	DATE
SHEET 2 OF 3	

1

2

3

4

5

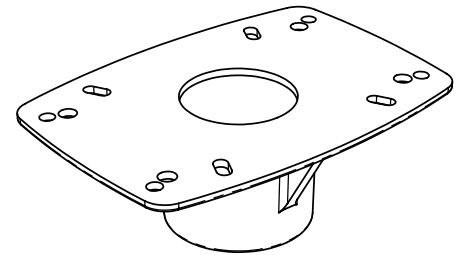
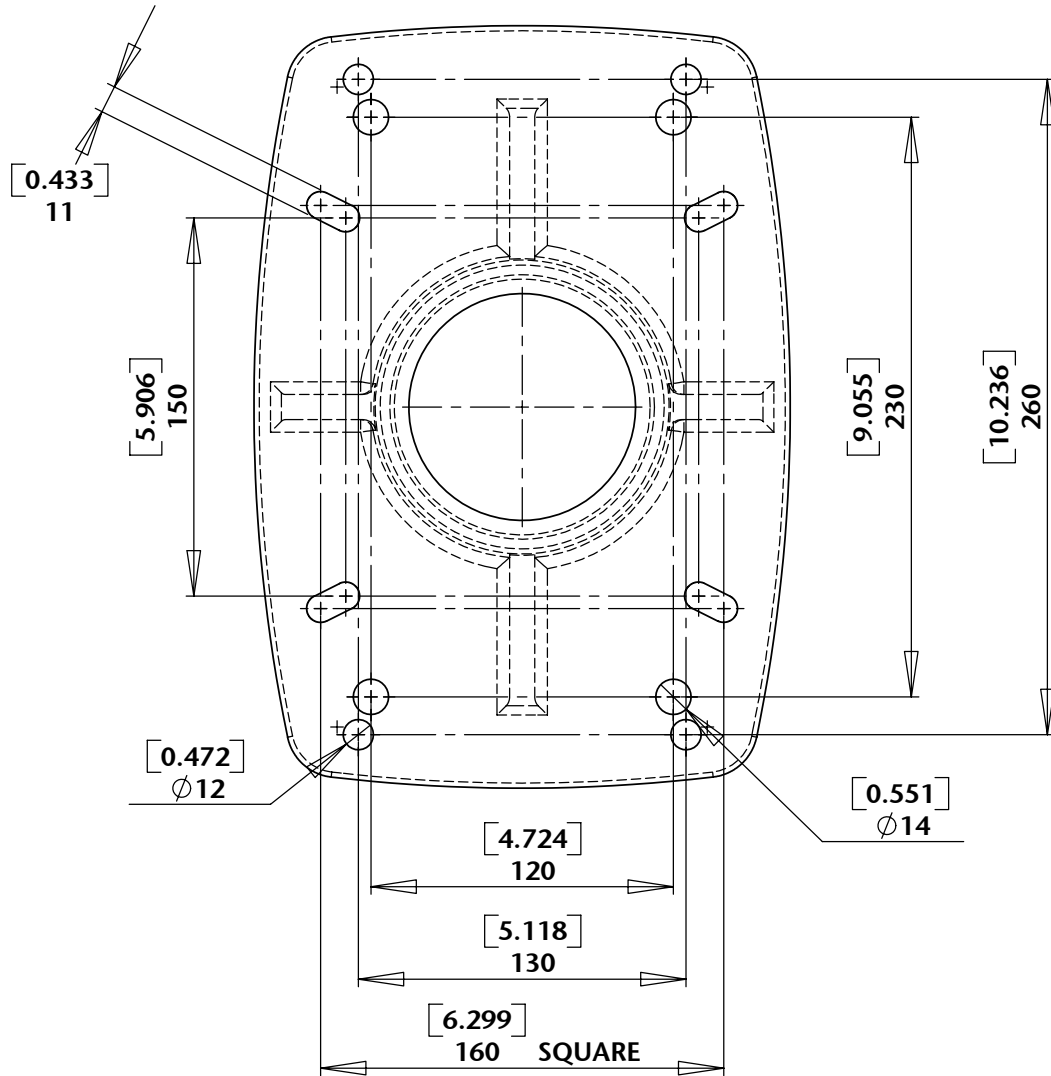
6

A

B

C

D



**SCANSTRUT**  
 DESIGN COPYRIGHT OF SCANSTRUT LTD

SCALE:1:3 A4 DO NOT SCALE DRAWING

UNLESS OTHERWISE SPECIFIED: GENERAL TOLERANCES:  $\pm 0.1$   
 DIMENSIONS ARE IN MILLIMETERS UNLESS OTHERWISE STATED.  
 IF IN DOUBT PLEASE ASK

TITLE: SC2 Pole Top for Raymarine, Large Koden and JRC Open Arrays

PART NO.	REVISION
DRAWN	DATE
SHEET 3 OF 3	