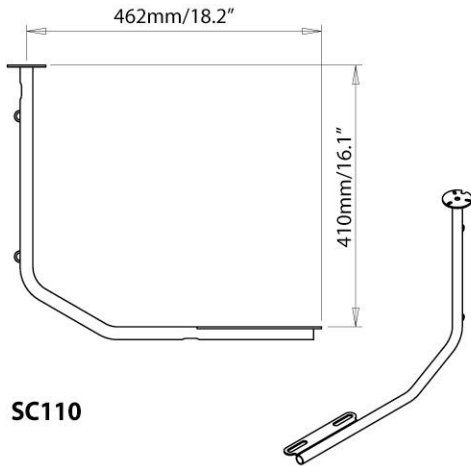
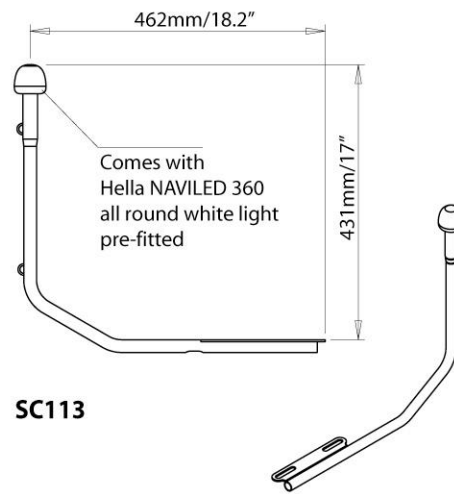


Nav Light Mount – SC110/SC113
GPS/VHF Antenna Mount – SC111/SC112
Installation Instructions

Nav Light Mounts

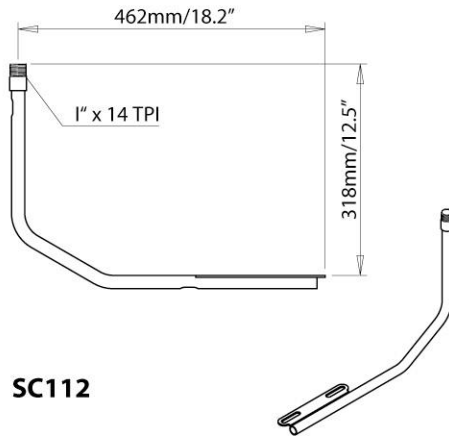


SC110

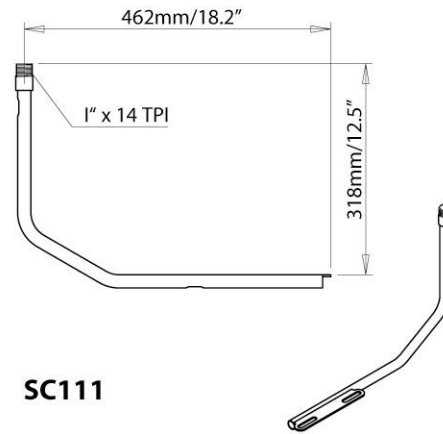


SC113

GPS/VHF Antenna Mounts



SC112



SC111

Please note that the SC113 comes with Hella NaviLED 360 all round white light pre-fitted and hard wired with 1.45m of cable.

Fitting SC110 and SC113

Note: Steps 1 and 2 for SC110 only.

1. SC110 is pre-drilled to fit Perko 200, Aqua Signal 25 & 45 series and Hella Marine 2984 Series lights.
2. Fit light to top mount plate as per mounting instructions for your light. The cable should be routed down through the SC110 and out through the slot on the underside of the tube.
3. The SC110 and SC113 fit to the underside of the PowerTower at the port side.
4. Remove the two fixing bolts that hold your radar in place and use them to loosely secure the SC110/SC113 to the underside of the PowerTower. We advise placing some Stainless Steel washers under the heads of the fixing bolts to spread load over a greater area.
5. With the fixing bolts loosely secured, slide the SC110/SC113 fore/aft to your preferred position. Tighten the fixing bolts securely.
6. The cable can now be routed through the rubber grommet in the rear of the PowerTower.

Fitting SC111 and SC112

The SC111 and SC112 are designed for the installation of GPS antenna and 'Whip' type VHF, HF/SSB, AM/FM, and cellular antenna of up to 1m in height, that have the standard 1" x 14TPI thread as their fixing. SC111 and SC112 are designed to work with Pacific Aerials P6161/P6162 adapter for their Pro range of antennas.

1. Thread the cable of your antenna down through the threaded boss at the top of the SC111/SC112 and out of the slot on the underside of the tube.
2. Attach your antenna to the threaded boss at the top of the tube.
3. The SC111 and SC112 fit to the underside of the PowerTower. SC111 on the starboard side, the SC112 to the port side.
4. Remove the two fixing bolts that hold your radar in place and use them to loosely secure the SC111/SC112 to the underside of the PowerTower. We advise placing some Stainless Steel washers under the heads of the fixing bolts to spread load over a greater area.
5. With the fixing bolts loosely secured, slide the SC111/SC112 fore/aft to your preferred position. Tighten the fixing bolts securely.
6. The cable can now be routed through the rubber grommet in the rear of the PowerTower.